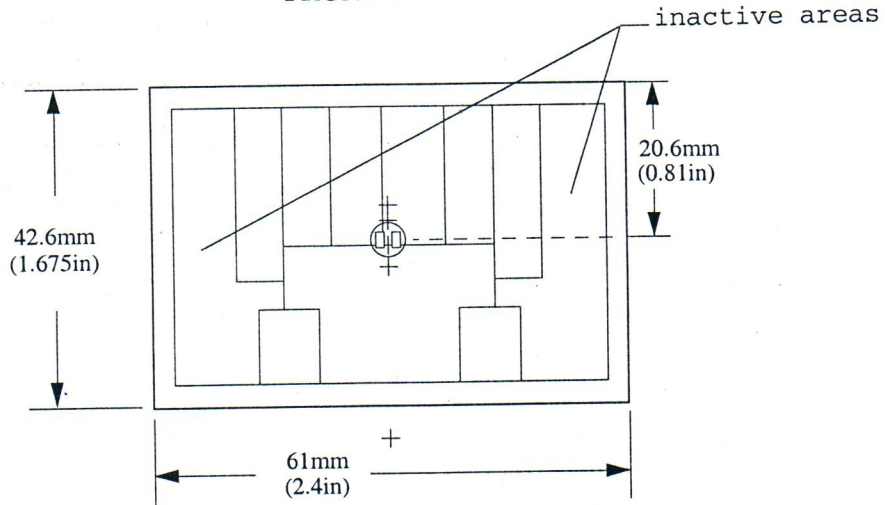


KURTYNA PIONOWA

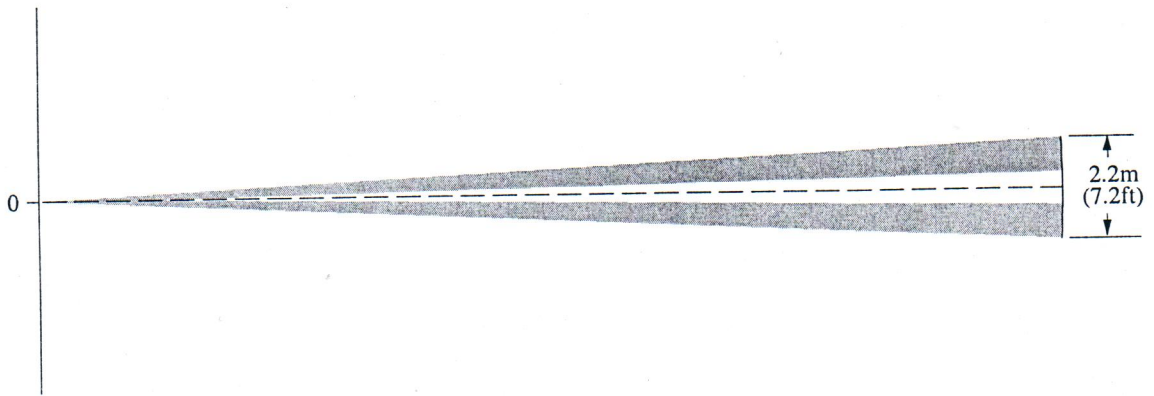
VERTICAL BARRIER ARRAY

VB 1.2 GI 12 V1

FRONT VIEW:



TOP VIEW:



SIDE VIEW:

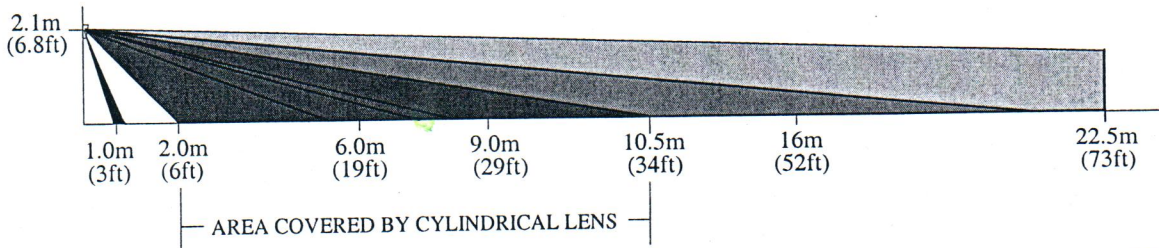


Figure 21

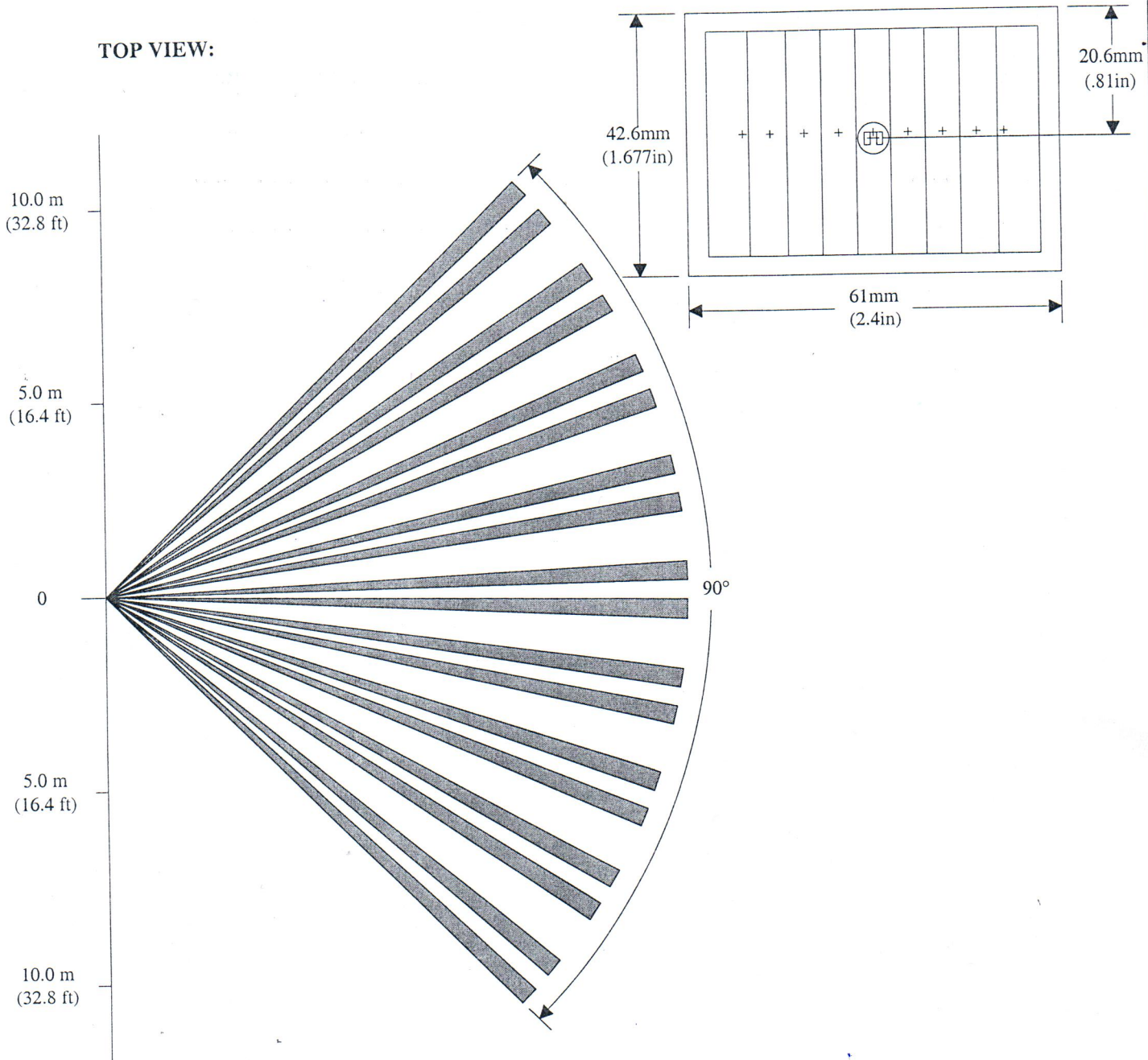
KURTYNA POZIOMA

ANIMAL ALLEY ARRAY

AA 1.2 GI V2

FRONT VIEW:

TOP VIEW:



SIDE VIEW:

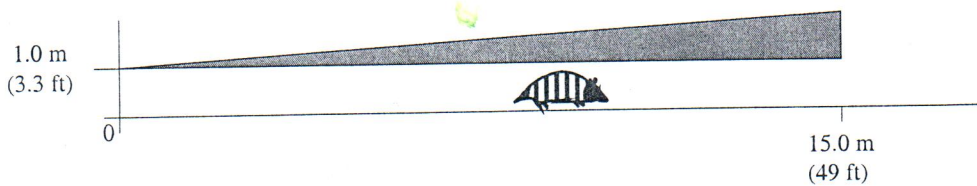


Figure 18