

## DS-2AE5123T

### E Series 5 Inch turbo HD720p PTZ Dome Camera



## Key features

### System function:

- 1/3" high performance CMOS, up to 1280x720 resolution
- $\pm 0.1^\circ$  Preset Accuracy
- Self-adaptive to HIKVISION, Pelco-P/D protocol
- 3D intelligent positioning function
- Power-off memory function: restore PTZ & Lens status after reboot
- Built-in temperature sensor, with display of internal temperature
- Lightning protection, surge protection and voltage transient protection
- IP66 standard (outdoor dome)
- Impact Protection: IEC60068-2-75 test, Eh, 20J; EN50102, up to IK10
- RS-485 communication diagnosis
- Scheduled PTZ movement
- UTC(Up the Coax) function
- TVI and CVBS dual output

### Camera function:

- Auto focus, auto white balance, backlight compensation and auto/manual day & night switch
- Privacy masks programmable
- 3D DNR, digital WDR

### PTZ function:

- 360° endless pan range and  $-5^\circ$ - $90^\circ$  tilt range
- 300°/s Pan Preset Speed and 200°/s Tilt Preset Speed
- 0.1°-250°/s Manual Pan Speed and 0.1°-150°/s Manual Tilt Speed
- 256 presets programmable; preset image freezing capability
- 8 patrols, up to 32 presets per patrol
- 4 patterns, with the total recording time not less than 10 minutes
- Proportional zoom function
- Park action: auto call up of PTZ movement, after a defined time of inactivity

## Application Scenarios

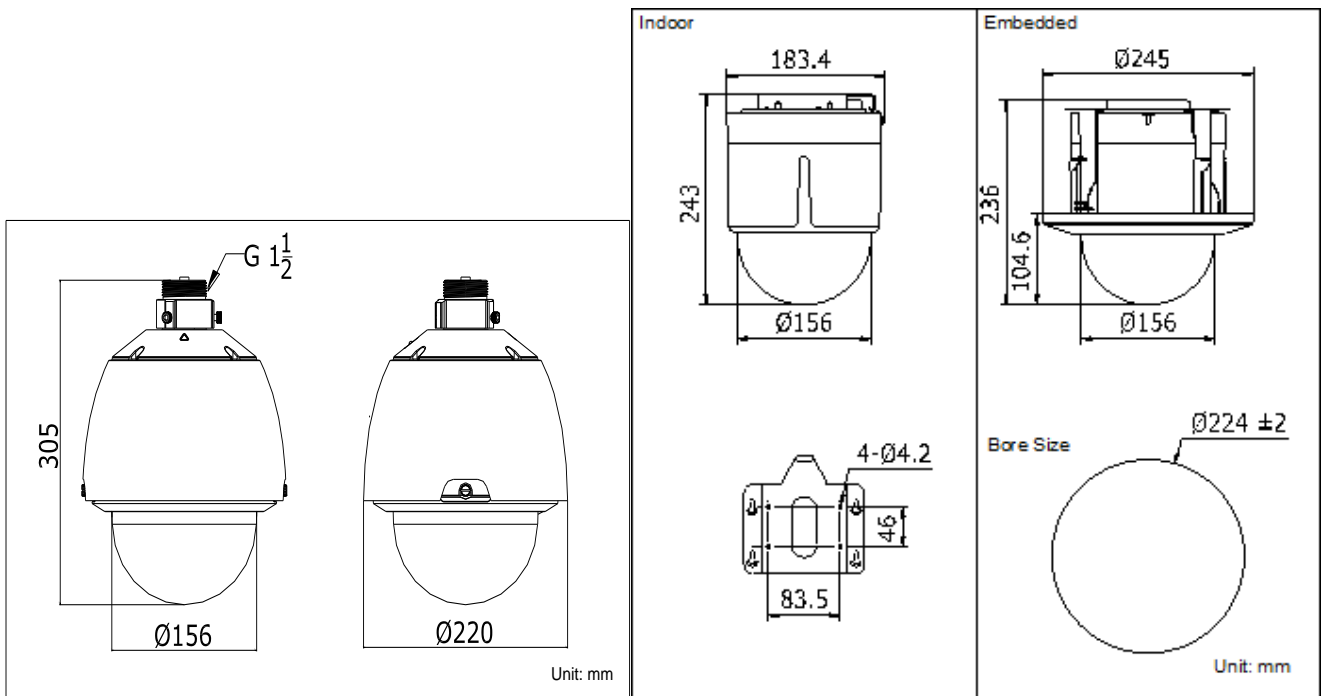
It can be widely applied to places requiring wide-area monitoring display, such as rivers, forests, highways, railways, airports, ports, sentries, squares, parks, scenic sites, streets, stations, large venues, outside of residential areas, etc.

## Specifications

Parameter		Model
		DS-2AE5123T-A: 24VAC, Outdoor DS-2AE5123T-A3: 24VAC, Indoor E Series 5 Inch turbo HD720p PTZ Dome Camera
Camera	Image Sensor	1/3" CMOS
	Max. Image Resolution	1280×720
	Frame Rate	50Hz:25fps(1280×720), 50fps (1280×720) 60Hz:30fps(1280×720), 60fps (1280×720)
	Min. Illumination	Color: 0.05Lux@(F1.4,AGC ON) B/W: 0.005ux@(F1.4,AGC ON)
	White Balance	Auto / Manual / ATW / Indoor / Outdoor
	AGC	Auto / Manual
	S / N Ratio	≥ 50dB
	3D DNR	Support
	Backlight Compensation	Support
	WDR	Digital WDR
	Shutter Time	PAL: 1-1/10,000s NTSC: 1-1/10,000s
	Day & Night	IR Cut Filter
	Privacy Mask	8 privacy masks programmable; a maximum of 4 zones can be masked simultaneously on the same video screen
Focus Model	Auto / Semiautomatic / Manual	
Lens	Focal Length	4-92mm, 23X
	Zoom Speed	Approx.3.0s(Optical Wide-Tele)
	Angle of View	49-2.2 degree(Wide-Tele)
	Min. Working Distance	10-1000mm (Wide-Tele)
	Aperture	F1.4-F3.5
Pan and Tilt	Pan Range	360° endless
	Pan Speed	Pan Manual Speed: 0.1°-250°/s, Pan Preset Speed: 300°/s
	Tilt Range	-5°-90° (Auto Flip )
	Tilt Speed	Tilt Manual Speed: 0.1°-150°/s, Tilt Preset Speed: 200°/s
	Proportional Zoom	Rotation speed can be adjusted automatically according to zoom multiples
	Number of Preset	256

	Patrol	8 patrols, up to 32 presets per patrol
	Pattern	4 patterns, with the total recording time not less than 10 minutes
	Power-off Memory	Support
	Park Action	Preset / Patrol / Pattern / Pan scan / Tilt scan / Frame Scan / Random scan / Panorama scan
	PTZ Position Display	On / Off
	Preset Freezing	Support
	Scheduled Task	Preset / Patrol / Pattern / Pan scan / Tilt scan / Frame Scan / Random scan / Panorama scan
	RS-485 communication diagnosis	Support
<b>Input/ Output</b>	Monitor Output	1 turbo HD720p output 1.0V[p-p] / 75Ω, NTSC (or PAL) composite, BNC
	Alarm I/O	2/1
	RS-485 Interface	Half-duplex mode Self-adaptive HIKVISION, Pelco-P, Pelco-D protocol
	UTC function	HIKVISION_C *Need UTC controller if DVR don't support UTC function
<b>General</b>	Menu Language	English, Chinese
	Power	24VAC Outdoor dome: Max. 20W (Heater On), Max. 12W(Heater Off) Indoor dome: Max.12W
	Working Temperature / Humidity	-30 °C-65°C(-22°F-149°F)(outdoor dome) / -10°C-50°C(14°F-122°F)(indoor dome ) 90% or less
	Protection Level	IP66 standard (outdoor dome) TVS 4,000V lightning protection, surge protection and voltage transient protection
	Impact Protection	Outdoor: IEC60068-275Eh, 20J; EN50102, up to IK10 Indoor: IEC60068-275Eh, 10J; EN50102, up to IK09
	Mounting	Various mounting modes optional
	Dimensions	Φ220×305mm (Φ8.66"×12.00")(Outdoor) Φ183.4×243mm(Φ7.22"×9.56") (Indoor) Φ245×236mm(Φ9.65"×9.29") (In-ceiling)
	Weight (approx.)	3Kg (6.61 lbs)
	Mount Option (only suitable for outdoor dome)	Long-arm wall mount: DS-1602ZJ;Corner mount: DS-1602ZJ-corner; Pole Mount: DS-1602ZJ-pole; Power box mount:DS-1602ZJ-box

## Dimensions



## Order models

- DS-2AE5123T-A, 24VAC, outdoor
- DS-2AE5123T-A3, 24VAC, indoor

## Accessories



DS-1602ZJ Long-arm Wall Mount Bracket