

## DS-2AE5232T-A 2 MP Turbo 5-Inch Speed Dome



Hikvision DS-2AE5232T-A Turbo 5-Inch Speed Dome is able to capture high quality images in poor light environment. The embedded CMOS chip makes WDR, and real-time 1920 × 1080 resolution possible. With the help of the 32× optical zoom, and IR cut filter, the camera offers more details over an expansive area

- 1/2.8" HD progressive scan CMOS
- 1920 × 1080 resolution
- 32× optical zoom
- 120 dB true WDR (Wide Dynamic Range)
- 3D intelligent positioning
- Switchable Turbo HD and CVBS outputs



## Specification

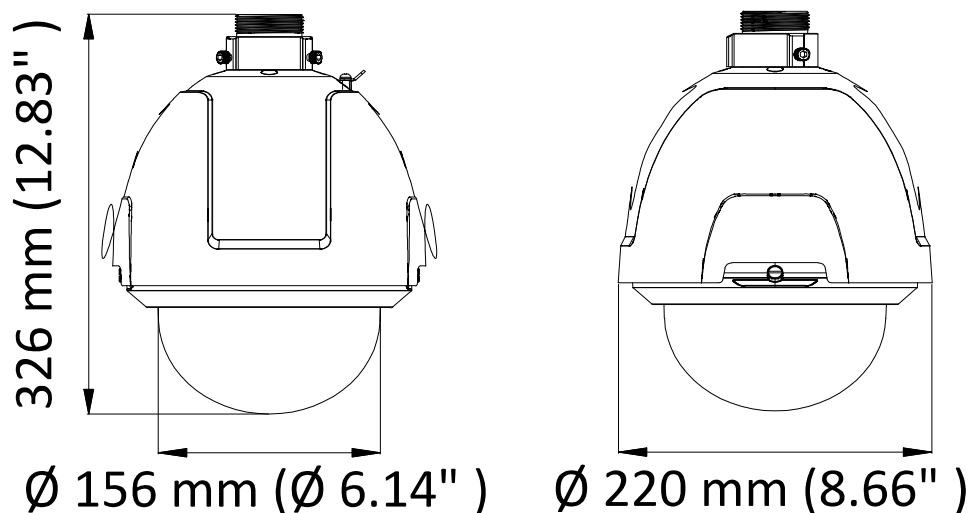
<b>Camera</b>	
Model	DS-2AE5232T-A
Image Sensor	1/2.8" progressive scan CMOS
Max. Image Resolution	1920 × 1080
Frame Rate	50Hz: 25fps @(1920 × 1080) 60Hz: 30fps @(1920 × 1080)
Min. Illumination	Color: 0.005 Lux @(F1.6, AGC ON) B/W: 0.001 Lux @(F1.6, AGC ON)
Digital Zoom	16×
White Balance	AUTO/MANUAL/HAUTO/ATW/INDOOR/OUTDOOR
AGC	AUTO/MANUAL
DNR	3D DNR
WDR	≥ 120 dB
Shutter Time	PAL: 1/1 s to 1/10,000 s NTSC: 1/1 s to 1/10,000 s
Day & Night	IR cut filter
Privacy Mask	8 programmable privacy masks
<b>Lens</b>	
Focus Mode	Auto/Semiauto/Manual
Focal Length	4.8 mm to 153 mm, 32× Optical
Aperture Range	F 1.6 to F4.6
Horizontal Field of View	54.2° to 1.97° (wide-tele)
Min. Working Distance	10 mm to 1500 mm (wide to tele)
Zoom Speed	Approx. 3.5 s (optical, wide to tele)
<b>Pan and Tilt</b>	
Pan Range	360° endless
Pan Speed	Pan manual speed: 0.1° to 250°/s Pan preset speed: 250°/s
Tilt Range	-15° to 90° (auto flip)
Tilt Speed	Tilt manual speed: 0.1° to 150°/s Tilt preset speed: 150°/s
Proportional Zoom	Rotation speed can be adjusted automatically according to zoom multiples
Patrol	10 patrols, up to 32 presets per patrol
Presets	256
Pattern	5 patterns, with the total recording time no less than 10 minutes
Power-off Memory	Support
Park Action	Preset/Patrol/Pattern/Pan Scan/Tilt Scan/Panorama Scan/Day Mode/Night Mode/None
PTZ Position Display	ON/OFF
Preset Freezing	Support
Scheduled Task	Preset/Patrol/Pattern/Pan Scan/Tilt Scan/Panorama Scan/Day Mode/Night Mode/Zero Calibration/None

<b>Input/Output</b>	
Turbo HD Output	1 turbo 1080p output, NTSC (or PAL) composite, BNC
CVBS Output	1.0V[p-p]/75Ω, NTSC (or PAL) composite, BNC
RS-485 Interface	Half-duplex mode Self-adaptive HIKVISION, Pelco-P, Pelco-D protocol
UTC function	UTC protocol (or HIKVISION-C protocol in previous DVR)
<b>General</b>	
Menu Language	English
Power	24 VAC Max. 24 W
Working Temperature	-30° C to 65° C (-22° F to 149° F)
Working Humidity	90% or less
Protection Level	IP66 standard (outdoor dome) TVS 4,000 V lightning protection, surge protection and voltage transient protection
Mounting	Various mounting modes optional
Dimension	DS-2AE5225TI-A: Ø 220 mm × 326 mm (8.66" × 12.83")
Weight (approx.)	3 kg (6.61 lb.)

## Order Model

DS-2AE5232T-A

## Dimensions



## Accessories



DS-1602ZJ  
Wall Mount



DS-1602ZJ-Conner  
Conner Mount



DS-1602ZJ-Pole  
Pole Mount



DS-1602ZJ-Box  
Box Mount



DS-1663ZJ  
Ceiling mount



DS-1661ZJ  
Pendant mount



DS-1662ZJ  
Pendant mount



DS-1619ZJ  
Swan-neck Mount



DS-1005KI  
USB Joy-stick

Distributed by



### Headquarters

No.555 Qianmo Road, Binjiang District,  
Hangzhou 310051, China  
T +86-571-8807-5998  
overseasbusiness@hikvision.com

**Hikvision USA**  
T +1-909-895-0400  
sales.usa@hikvision.com

**Hikvision Italy**  
T +39-0438-6902  
info.it@hikvision.com

**Hikvision Singapore**  
T +65-6684-4718  
sg@hikvision.com

**Hikvision Europe**  
T +31-23-5542770  
saleseuro@hikvision.com

**Hikvision France**  
T +33(0)11-85-330-444  
info.fr@hikvision.com

**Hikvision Oceania**  
T +61-2-8599-4233  
salesau@hikvision.com

**Hikvision Middle East**  
T +971-4-8816086  
salesme@hikvision.com

**Hikvision Spain**  
T +34-91-737-16-55  
info.es@hikvision.com

**Hikvision Hong Kong**  
T +852-2151-1761

**Hikvision Russia**  
T +7-495-669-67-99  
saleru@hikvision.com

**Hikvision Poland**  
T +48-22-460-01-50  
poland@hikvision.com

**Hikvision Canada**  
T +1-909-895-0400  
sales.usa@hikvision.com

**Hikvision India**  
T +91-22-28469900  
sales@pramahikvision.com

**Hikvision UK**  
T +44-1628-9021-4  
support.uk@hikvision.com